

NOTES :

1- MATERIAL:

- HOUSING: POLYESTER FIBER GLASS FILLED UL 94-V0 COLOR BLACK.
- TERMINAL: PHOSPHOR BRONZE.

PLATING 2:

POST PLATE (0.00127-0.00152)/.000050-.000060 GOLD IN CONTACT AREA. (0.00190)/.000075 MIN. PURE TIN IN TAIL AREA BOTH OVER (0.00127)/.000050 MIN. NICKEL OVERALL.

PLATING 7: ONLY ON REQUEST

POST PLATE 0.00005/.000002 MIN GOLD OVER 0.000763 .000030 MIN PALLADIUM NICKEL IN CONTACT AREA. 0.00190/.000075 MIN PURE TIN IN TAIL AREA. BOTH OVER 0.00127/.000050 MIN NICKEL OVERALL:

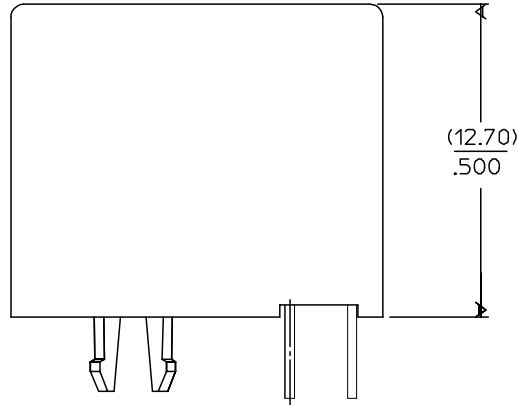
2- JACK FOR MATING WITH F.C.C. 68 PLUGS 90075 MOLEX SERIES.

3- PRODUCT SPECIFICATION PS-95003.

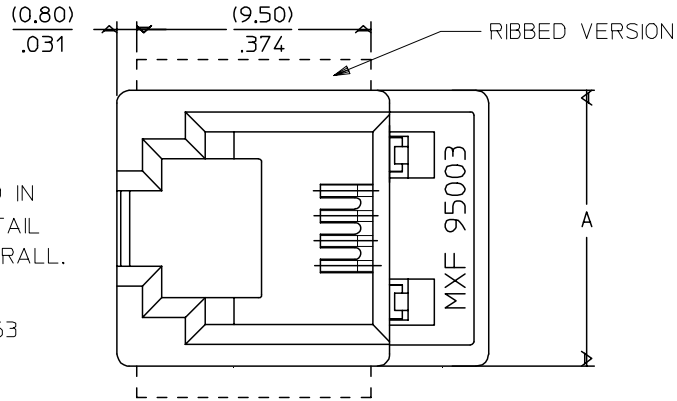
4- APPLICATION SPECIFICATION AS-95001.

5- PACKAGING SPECIFICATION PK-95003:

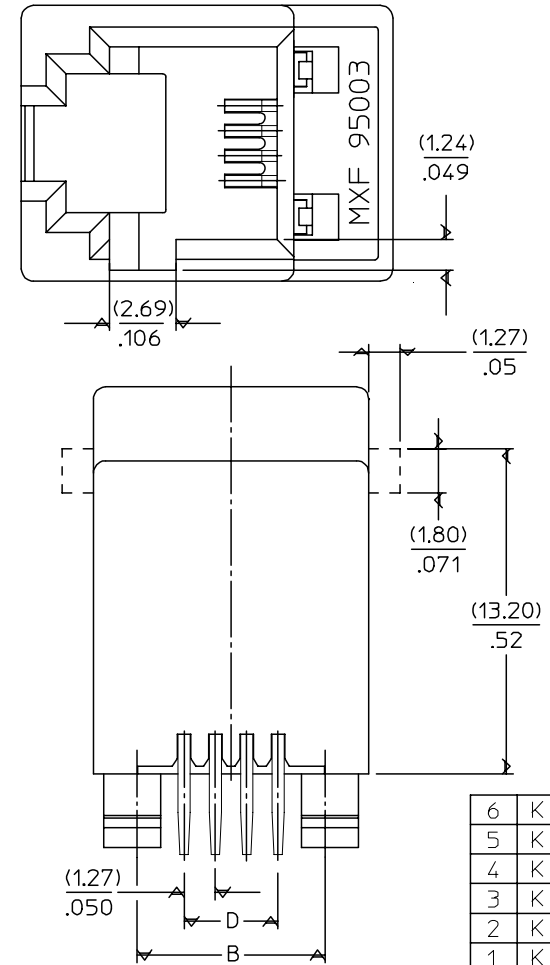
- STANDARD PACKAGING SHEET 1.
- TUBE PACKAGING FOR SMT VERSION SHEET 2.
- TUBE PACKAGING FOR THROUGH HOLE VERSION SHEET 3.



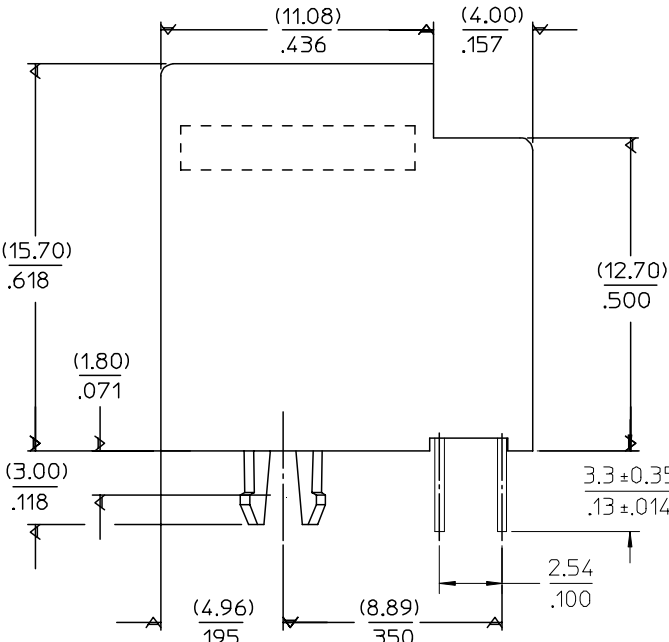
SHORT VERSION



OPTIONAL KEYING



6	K
5	K
4	K
3	K
2	K
1	K



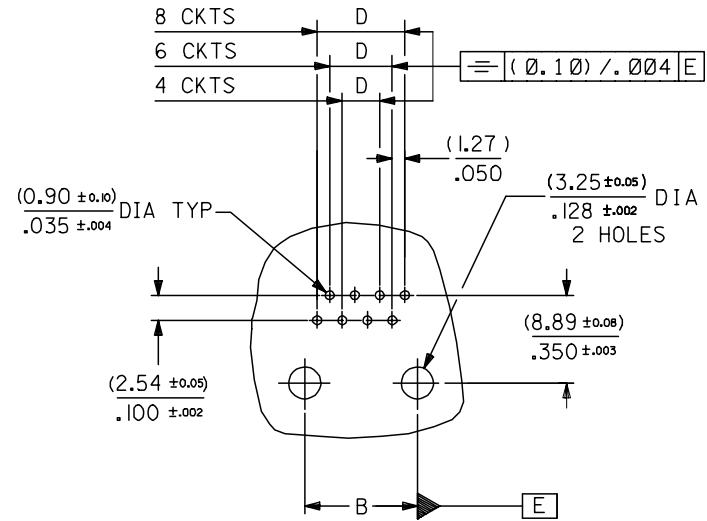
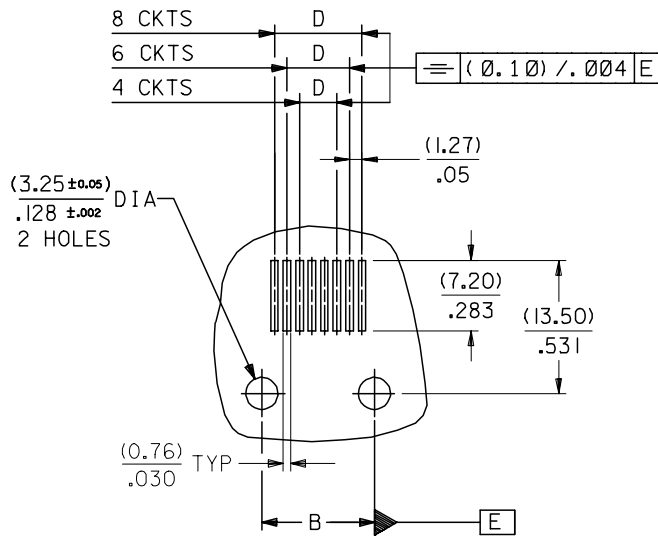
ENTER DESCRIPTION EC NO: MG2005-0119 DRAWN:KNOLLER 2004/10/06 CHKD:FCARABET 2004/10/06 APPR:KNOLLER 2004/10/11	QUALITY SYMBOLS ▽=0 ▽=0	GENERAL TOLERANCES (UNLESS SPECIFIED) mm INCH 4 PLACES ± --- ± --- 3 PLACES ± --- ± .006 2 PLACES ± 0.15 ± .010 1 PLACE ± 0.25 ± --- ANGULAR ± .5 °	DIMENSION STYLE MM/IN	SCALE 5:1	DESIGN UNITS METRIC	THIRD ANGLE PROJECTION	
	DRAWN BY GP	DATE 95/05/15	TITLE LOW PROFILE TOP ENTRY JACK (THROUGH HOLE VERSION)	APPROVED BY DATE 95/05/15	MATERIAL NO. SEE SHT 4,5,6	DOCUMENT NO. SDA-95003-F	SHEET NO. 1 OF 6
	DRAFT WHERE APPLICABLE MUST REMAIN WITHIN DIMENSIONS						
	THIS DRAWING CONTAINS INFORMATION THAT IS PROPRIETARY TO MOLEX INCORPORATED AND SHOULD NOT BE USED WITHOUT WRITTEN PERMISSION						

DIM. \ TYPE	POS. 4		POS. 6		POS. 8	
	4 CKTS.	4 CKTS.	6 CKTS.	4 CKTS.	6 CKTS.	8 CKTS.
A	(11.18) / .440	(13.21) / .520	(13.21) / .520	(15.24) / .600	(15.24) / .600	(15.24) / .600
B (± 0.05) / ± 0.002	(7.62) / .300	(10.16) / .400	(10.16) / .400	(11.43) / .450	(11.43) / .450	(11.43) / .450
D (± 0.05) / ± 0.002	(3.81) / .150	(3.81) / .150	(6.35) / .250	(3.81) / .150	(6.35) / .250	(8.89) / .350

P.C.B. MOUNTING PATTERNS - SEE FROM COMPONENT SIDE

FOR SMT JACK (SURFACE MOUNT)

FOR STANDARD JACK (THROUGH HOLE)



ENTER DESCRIPTION EC NO: MG2005-0119 DRAWN: KNOLLER 2004/10/06 CHKD: FCARABET 2004/10/06 APPR: KNOLLER 2004/10/11	QUALITY SYMBOLS ▽=0 ▽C=0	GENERAL TOLERANCES (UNLESS SPECIFIED)		DIMENSION STYLE MM/IN		SCALE 2:1	DESIGN UNITS METRIC	THIRD ANGLE PROJECTION			
		4 PLACES ± --- ± ---	3 PLACES ± --- ± .006	2 PLACES ± 0.15 ± .010	1 PLACE ± 0.25 ± ---	ANGULAR ± .5 °	DRAWN BY GP	DATE 95/05/15	TITLE LOW PROFILE T/E JACK		
		DRAFT WHERE APPLICABLE MUST REMAIN WITHIN DIMENSIONS					APPROVED BY DATE	MOLEX INCORPORATED			
		SEE SHT. 4, 5					MATERIAL NO. DOCUMENT NO. SDA-95003-F	SHEET NO. 3 OF 6			

TRAY PACKAGING, SEE PACKAGING SPEC PK95003 SHEET 1

HOUSING SIZE	LOADED CONTACTS	PLATING	PART NO FOR JACK ASSEMBLY THROUGH HOLE STANDARD VERSION					PART NO FOR JACK ASSEMBLY THROUGH HOLE SHORT VERSION					PART NO FOR JACK ASSEMBLY S.M.T. SHORT VERSION																														
			POLYESTER FIBER GLASS FILED 94VO COLOR BLACK					POLYESTER FIBER GLASS FILED 94VO COLOR BLACK					POLYAMIDE 4/6 FIBER GLASS FILED 94VO COLOR GREY					POLYAMIDE 4/6 FIBER GLASS FILED 94VO COLOR BLACK																									
			NO KEY	TOOLED	KEY	TOOLED	TOOLED	NO KEY	TOOLED	KEY	TOOLED	TOOLED	NO KEY	TOOLED	KEY	TOOLED	TOOLED	NO KEY	TOOLED	KEY	TOOLED	TOOLED																					
NO RIB	TOOLED	NO RIB	TOOLED	TOOLED	NO RIB	TOOLED	NO RIB	TOOLED	TOOLED	NO RIB	TOOLED	NO RIB	TOOLED	TOOLED	NO RIB	TOOLED	NO RIB	TOOLED	TOOLED																								
4	4	2	95003-2441	X	95003-2442						95003-2444		95003-2445									95003-6444		95003-6445									95003-6454		95003-6455								
6	4	2	95003-2641	X	95003-2642						95003-2644		95003-2645									95003-6644		95003-6645									95003-6654		95003-6655								
6	6	2	95003-2661	X	95003-2662						95003-2664	X	95003-2665								95003-6664	X	95003-6665									95003-6674	X	95003-6675									
8	4	2	95003-2841		95003-2842						95003-2844		95003-2845								95003-6844		95003-6845									95003-6854		95003-6855									
8	6	2	95003-2861		95003-2862						95003-2864		95003-2865								95003-6864		95003-6865									95003-6874		95003-6875									
8	8	2	95003-2881	X	95003-2882	X					95003-2884		95003-2885								95003-6884		95003-6885									95003-6894		95003-6895									

TOOLED	X
NOT TOOLED	

ENTER DESCRIPTION EC NO: MG2005-0119 DRAWN: KNOLLER 2004/10/06 CHKD: FCARABET 2004/10/06 APPR: KNOLLER 2004/10/11	REV K	QUALITY SYMBOLS ▽=0 ▽=0	GENERAL TOLERANCES (UNLESS SPECIFIED)		DIMENSION STYLE MM/IN		SCALE ---	DESIGN UNITS METRIC	THIRD ANGLE PROJECTION			
							DRAWN BY GP DATE 95/05/15		TITLE		LOW PROFILE T/E JACK THROUGH HOLE STD. VERS. THROUGH H. SMT SHORT V.	
							CHECKED BY DATE					
							APPROVED BY DATE		MOLEX INCORPORATED		SHEET NO. 4 OF 6	
							MATERIAL NO.					
				DRAFT WHERE APPLICABLE MUST REMAIN WITHIN DIMENSIONS		SEE CHART		THIS DRAWING CONTAINS INFORMATION THAT IS PROPRIETARY TO MOLEX INCORPORATED AND SHOULD NOT BE USED WITHOUT WRITTEN PERMISSION				